

BIOWRAP[®]

SMARTER WEARABLE TECHNOLOGY[®]

Quick Reference Guide

BACK BIOWRAP

SILVER

Compression Electrode Garment

Utilizes Advanced Silver Fabric
Electrode Technology



See video at
<https://biowave.com/support-biowraps/>



NOTE: ONLY for use with BioWaveHOME & BioWavePRO.

Questions? Call us!

1-877-BIOWAVE • (1-877-246-9283)
support@biowave.com

Size

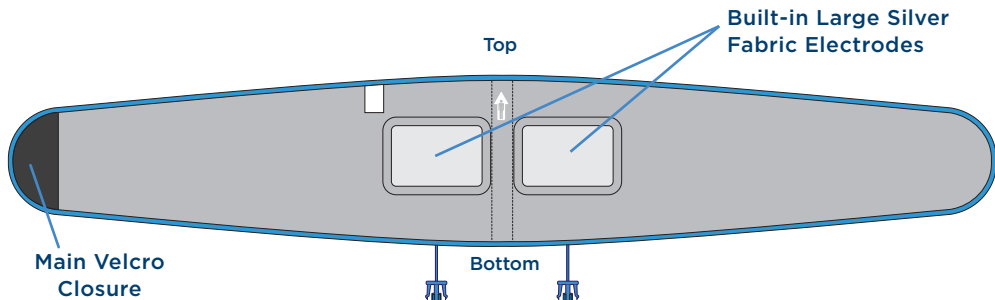
	Waist Size
S / M	28" - 37"
L / XL	38" - 50" *

*51-60" requires Back Extender

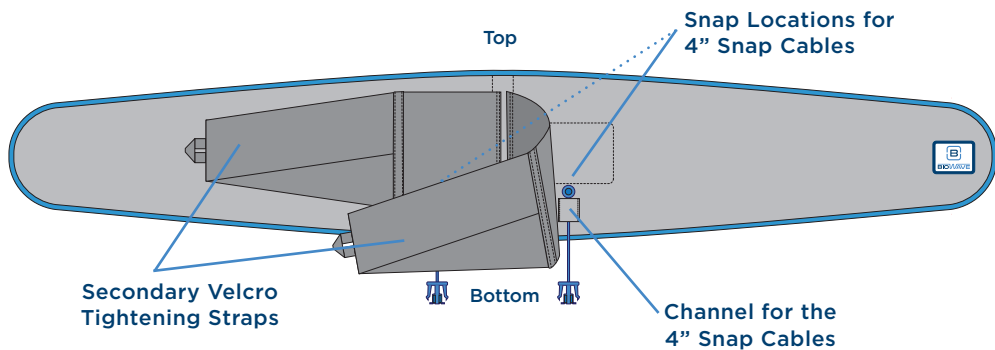
THIS PACKAGE CONTAINS

- One SILVER Knee BioWrap Compression Electrode Garment - for use on LEFT or RIGHT knee.
- One 4.2 oz. Bottle of TheraCream Conductive Cream
- Two Spare Replacement Snap Cables

Inside View



Outside View



STEPS BEFORE FIRST USE

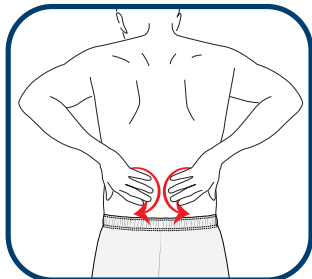
1. **BEFORE FIRST USE:** First Attach BioWrap to your Body **WITHOUT TheraCream** to make sure the size is correct. If BioWrap is too small or too large, **DO NOT** start a treatment. Immediately contact your provider or BioWave Customer Service at 1-877-BIOWAVE (1-877-246-9283) so we can send you the correct size.
2. **BEFORE FIRST USE:** If the size is correct, remove both snap cables, **HAND WASH SILVER FABRIC ELECTRODES** with mild soap and water, rinse, pat dry with towel, then let air dry completely. Once dry, reattach both snap cables to the backside of the BioWrap as shown on the prior page.

DIRECTIONS FOR USE

Step 1. TheraCream Application

- First clean skin with soap and water at the treatment locations on your back.
- Use a generous pea-sized amount of TheraCream, for EACH of the two SILVER fabric electrodes (SEE PHOTO to the right).
- Rub the TheraCream **INTO THE SKIN** in the area under each SILVER fabric electrode. If you cannot reach around your back, use the Theracream **Applicator (sold separately)** to rub the Theracream into your back. (SEE PHOTOS to the right).
- **DO NOT** rub TheraCream onto the SILVER fabric electrode.
- TheraCream should be absorbed into the skin without leaving a white coating.
- It is fine to spread TheraCream beyond the electrode area, as long as it is evenly distributed under the SILVER fabric electrodes.

1.



First clean skin on back.

Squeeze a generous pea size amount of TheraCream onto your **finger tip** or **onto the Applicator (sold separately)** and rub into your skin thoroughly around **the entire lower back in the locations that the SILVER FABRIC will touch your skin.**



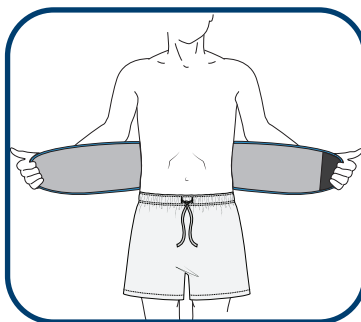
DIRECTIONS FOR USE

Step 2. Attach Leadwire Cable and BioWrap

These instructions are for attaching the Back BioWrap to your lower back. Both 4" Snap Cables should already be snapped onto the 2 snaps on the front side of the BioWrap.

- Click the blue Snap Cable electrode connectors into the blue Leadwire Cable connectors.
- Plug the single end of the Leadwire Cable into the BioWave device (or dongle attached to the device).

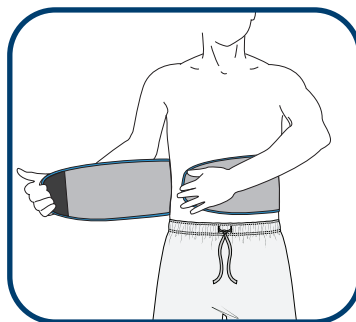
2A.



Attach your BioWave LEADWIRE CABLE to the two connectors on the back of the BioWrap

Line up SILVER FABRIC ELECTRODES on inside of BioWrap over painful areas on your low back.

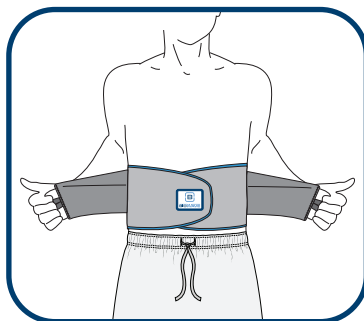
2B.



Wrap **LEFT SIDE** around stomach.

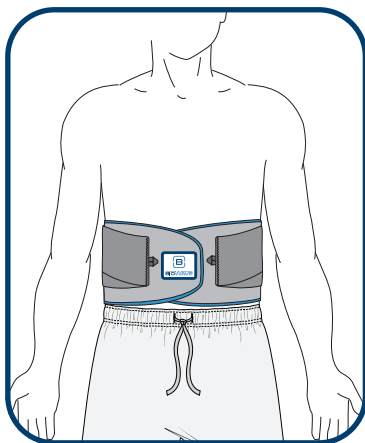
Wrap **RIGHT SIDE** around stomach, pull tight, and attach Velcro closure over left side.

2C.



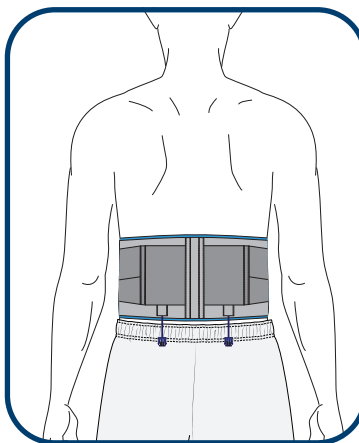
Unhook **SECONDARY STRAPS** on front of BioWrap.

2D.



**PULL FORWARD
and VELCRO DOWN**
on front of BioWrap
to further tighten
BioWrap over
your low back.

2E.



**BioWrap should
provide TIGHT BUT
COMFORTABLE
compression** across
your lower back.

DIRECTIONS FOR USE

Step 3. Compression Guide

- **Too Tight:** Can cause stinging near the snap connector, leading to burns.
- **Too Loose:** Gapping between the silver fabric and skin can lead to an ineffective treatment and a possible intermittent shock or sting.
- **Just Right:** Should be snug and comfortable, like a sock. See photo examples below:



Just Right/Snug



Too Tight

See video at [biowave.com/support/biowrap](https://www.biowave.com/support/biowrap)

Step 4. Treatment

- Press the power button to turn on the BioWave device.
- Start the treatment by pressing the PLUS (+) button to gradually increase intensity so the sensation felt is strong but still comfortable. As your body adapts to the electrical field and the sensation fades, keep pressing the PLUS (+) button to increase the intensity to maintain a strong but **ALWAYS** comfortable sensation at the treatment location.
- When the 30-minute treatment is over, remove the BioWrap from your body, disconnect the BioWave Leadwire Cable from the two Snap Cable connectors, and store BioWrap in a cool dry place.
- Clean the Silver Fabric Electrodes in your BioWrap after every 2 treatments

Questions?

biowave.com/support/biowrap • support@biowave.com

1-877-BIOWAVE (1-877-246-9283)

TREATMENT TIPS

- Start at a low intensity and gradually increase so sensation remains medium strong but **ALWAYS COMFORTABLE** throughout the 30-minute treatment.
- If you increase intensity to >50% in less than one minute, **STOP THE TREATMENT**. Clean the skin thoroughly with gentle soap and water, dry the skin with a towel, reapply and rub in slightly more TheraCream to the skin than the first time, and then gradually increase the intensity.
- It is **OK** if you want to exceed 50% intensity, just proceed gradually.
- **IF YOU HAVE NO PROPRIOCEPTION** (no skin sensation as is common with neuropathy): Increase intensity slowly to 30% over 3 minutes. After 10 min increase by 2% per minute. **DO NOT** exceed 50% intensity.
- **NOTE:** If you have neuropathy, for example, and do not have proprioception, you do not have to feel the sensation of the active electrical field for the device to be working.

CONTRAINDICATIONS

When Not to Use BioWraps

- **DO NOT** use if you have an implanted cardiac pacemaker.
- **DO NOT** place the silver fabric electrodes over open wounds, broken skin, rashy skin or sensitive skin areas like sunburned skin.

NOTE:

- BioWrap Wearables **MAY BE PLACED** over or in the proximity of implanted orthopedic hardware, including total joint replacements, anchors, plates, rods, screws, pins and clips.
- Any serious incident that has occurred in relation to the device should be reported to the manufacturer and the competent authority of the Member State in which the user and/or patient is established.

Issues or discomfort? Contact Customer Support:

biowave.com/support/biowrap • support@biowave.com

1-877-BIOWAVE (1-877-246-9283)

TROUBLESHOOTING

1. My BioWave shows a connection error but my BioWrap is plugged in

If your BioWave device shows a connection error when you are fully connected to the BioWrap, remove the BioWrap and follow these steps:

If you forgot to apply TheraCream:

- **CLEAN YOUR SKIN.** Remove BioWrap and clean your skin with soap and water in the region that the silver fabric electrodes touch your skin. Shave any excessive hair in the locations that the silver fabric electrodes touch your skin.
- **APPLY A GENEROUS PEA-SIZE AMOUNT OF CONDUCTIVE CREAM using your fingers or the Applicator (sold separately)** directly to skin areas that will be against each of the silver fabric electrodes inside the BioWrap. Gently massage TheraCream into the skin allowing it to absorb, before putting on the BioWrap.

If you applied too much TheraCream (excess cream remained on the skin):

- **CLEAN YOUR SKIN.** Remove BioWrap and use a dry towel to remove all excess TheraCream from your skin and any excess cream from the silver fabric in the BioWrap. Next, reattach the BioWrap and begin the treatment.

2. The treatment doesn't feel strong enough.

If the intensity is turned up to the maximum setting and the treatment doesn't feel strong under the electrodes, pause the treatment, remove the BioWrap and apply more conductive cream to the skin **using your fingers or the Applicator (sold separately)** in the areas that the silver fabric touches the skin.

• **Tighter Compression and/or More TheraCream = Stronger Treatment Sensation**

• **Looser Compression and/or Less TheraCream = Less Treatment Sensation**

3. I feel a tingle when the BioWave device is first turned on.

This is normal. When the BioWave device is turned on, you may feel a tingle for one second prior to starting the treatment as the device checks it is properly connected to you.

CLEANING INSTRUCTIONS

CLEAN BEFORE FIRST USE AND AFTER EVERY 2 USES:

1. Remove both snap cables
 2. Hand wash silver fabric with mild soap and water
 3. Rinse
 4. Pat dry with towel
 5. Let air dry completely
 6. Reattach snap cables
- **CLEAN your BioWrap after every 2 treatments**
 - **NEVER** clean using an alcohol or other chemical wipe
 - **DO NOT** clean in a washing machine
 - **DO NOT** dry in a dryer

Questions? Call us!

Technical Support:

1-877-BIOWAVE (1-877-246-9283)

biowave.com/support/biowrap

support@biowave.com



Need help?

Contact us at:

1-877-BIOWAVE • (1-877-246-9283)

support@biowave.com

The information, including but not limited to text, graphics, images and other material contained herein are for informational purposes only. **Learn more at [BioWave.com/terms-of-use](https://www.biowave.com/terms-of-use)**

